

## Contents



CCTV



PSU



Keyfobs



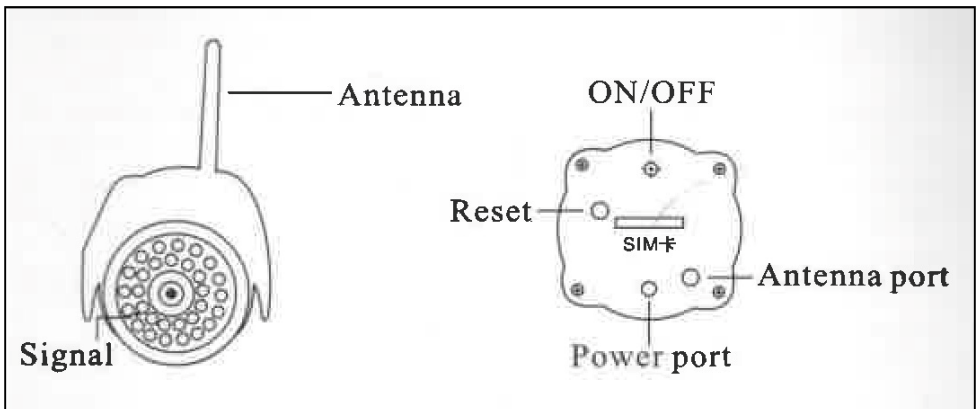
The SMARTCAM requires a valid simcard.

A Free contract O<sub>2</sub> SIMCARD is Supplied with the system which may be used. Alternatively any valid simcard can be used within the SMARTCAM.

## Getting Started

There are five steps to get going;

1. **Connect the Antenna**
2. **Insert a SIMCARD**
3. **Connect the Power Supply**
4. **Setup SMARTCAM with GPRS settings, your phone no(s) and email address**
5. **'Arm' SMARTCAM**



2. **Insert a SIMCARD** (using a pen press on the simcard holder to eject the drawer, place in simcard and close)

A Free contract O<sub>2</sub> SIMCARD is Supplied with the SMARTCAM which will require activation before it may be used. (please see the separate document). Alternatively any valid simcard correctly configured for GPRS/WAP can be used within the SMARTCAM.

### 3. **Connect the Power Supply (9-12V)**

Insert the power connector and switch the SMARTCAM ON.

#### **Front Indicator LED Status**

The LED on the front will indicate the camera status.

Flashing Orange :      Reading Simcard

Orange                      Seeking a GSM Network

Steady Green              Connection made and signal OK.

Flashing Red              Sending MMS

#### **Power Fail**

SMARTCAM has an internal 1000mA battery. If the external power fails then SMARTCAM will switch to internal battery and send a 'Power has failed' SMS to the recipients numbers.

### **Sending SMS Control Commands to SMARTCAM**

The format of sending any command is the same; password#command#

The default password is 123456 (always use lowercase)

Example:

The Command 51 sets the first destination Mobile number

E.g. 123456#51#09076390000#

This configures the first destination No to be 0907 639 0000

## 4. Configure SMARTCAM GPRS & WAP

If using the free O<sub>2</sub> SIMCARD supplied send the following SMS text message to the SMARTCAM.

```
<123456d>#41#wap.o2.co.uk#42#o2wap#43#123456#44#193.113.200.195#45#8080#46#http://mmsc.mms.co.uk:8002#
```

Tip: this is a long SMS but it must be typed correctly!

### Set the Recipients Phone Number

Example : The following command sets the telephone number to where SMARTCAM is to send an MMS image to. (upto 5 nos can be stored)

```
123456#51#09076390000#
```

(this sets the 1st tel No to be 0907 639 0000

```
123456#52#09076390000#
```

(this sets the 2nd tel No to be 0907 639 0000

### Set the Recipients Email Address (max of two)

Example : The following command sets the email address to where SMARTCAM is to send an image. (upto two emails can be stored)

```
123456#61#j.doe@internet.com#
```

(this sets the 1st email address to be j.doe@internet.com

### Setup Motion Detection

SMARTCAM can detect change of image, when the change reaches a set value it triggers the SMARTCAM to activate the image transmit by MMS and email (if setup)

Example To Turn on Image Detection

```
123456#24#1#
```

The SENSITIVITY of the motion detection is set by

```
123456#27#n#
```

Where n can be a number between 0 and 99. Factory default is 15

The lower the number the higher the sensitivity.

## Basic Setup Commands

Note: All commands to be preceded by the password

Where 'a' is listed, enter any number or characters

Where 'n' is listed, enter number

Command	Description
12#1#	Send SMS when Motion Trigger (Alarm) Activated
12#0#	Do not Send SMS when Motion Trigger (alarm) Activated
15#0#	When Alarm activated do not make Telephone call (enables monitoring of SMARTCAM audio input)
21#n#	Set Picture resolution, n=0 160 x 128pixels n=1 320 x 240pixels n=2 640 x 448pixels
22#n#	Set number of images to send where n=1—20 (default is 1)
24#n#	Motion detection; n=0 Activate, n=1 De-activate
27#n#	Adjust Detection Sensitivity n=1—99 (default =15, 1=highest!)
31#a#	Set password (6 digits) default is 123456
32#1#	Set Language to English
50##	reply with the Stored Phone Number
51#n#	set the first Group (n=0 to 15 digits) e.g. set 51#13901234567# as the first group of Alarm No
52#n#	set the Second Group (n=0 to 15 digits)
53#n#	set the third Group (n=0 to 15 digits)
54#n#	set the Fourth Group (n=0 to 15 digits)
55#n#	set the fifth Group (n=0 to 15 digits)
60##	reply with the Stored Email address
61#a#	Set the first Email Address e.g. 61#jdoe@abc.com#
62#a#	Set the second Email Address

## 5. Arm the camera

There are two ways to Arm the camera.

1. using the Keyfob provided press the ARM button
2. Send the 'Arm' SMS as below

Note: There is a 30second exit delay before SMARTCAM is armed

Once armed the SMARTCAM is now preset to detect any movement within its vision. Once triggered It will send an MMS and email to the preset destinations .

**The Remote Keyfob:** There are three buttons

Arm, Disarm, and Alarm (this initiates an image to be sent immediately)

SMS Control Commands	
SMS	Description
1#1#	'Arm's SMARTCAM
1#0#	'Disarms' SMARTCAM (default)
4#1#	Activate on site Monitor
4#0#	De-activate on site Monitor
2#1#	SMARTCAM replies immediately with instant image(s) e.g. 2#10# will send 10 images (max = 20)

## Configure SMARTCAM GPRS using A.N Other SIMCARD

If using A.N Other SIMCARD you will need to configure the service provider to enable GPRS to the following parameters.

### GPRS Setup Commands

Where 'a' is listed, enter your parameter

Command	Description
40##	Reply with GPRS setting
41#a#	Set the APN (Access Point Name)
42#a#	Set Username
43#a#	Set GPRS Password
44#a#	Set IP Address
45#a#	Set Terminal number / Port (this is usually 9201)
46#a#	Set Homepage

You will need to obtain the relevant parameters from your service provider. As an example we have provided the parameters that are used with the free simcard we have provided (O<sub>2</sub> Contract Sim)

### Parameters Required for GPRS

Required Parameter	Value if using O <sub>2</sub>
APN	wap.o2.co.uk
User	o2wap
Password	password
IP Address	193.113.200.195
Port	9201
Mmshome:	<a href="http://mmsc.mms.o2.co.uk:8002">http://mmsc.mms.o2.co.uk:8002</a>

## Troubleshooting

### **LED Indicator not Green :**

SMARTCAM cannot read simcard, or, no antenna

### **After Alarm ,the Signal Indicator turns to Red, flashes once then turns Green:**

No recipient number is stored in SMARTCAM

### **No MMS / email received :**

GPRS settings incorrect

### **Alarm not activated when image is changing :**

Motion sensitivity needs changing. We suggest experimenting with the sensitivity to achieve the required level for your application

## Technical Specifications

Mechanical Dimensions	154 x 140 x 400mm
Effective Range	15metres
Resolution	640 x 480
Working Voltage	12Vdc
Integral Battery	1000mA
Working Current	
Standby	<50mA
Alarm Status	<2,500mA (IR LED Additional)
Operational Temperature	-30 to +50°C
Relative Humidity	10 – 90%
GSM Engine	900/1800/1900MHZ
	Phase 2/2 Protocol Class10 (2W)
Remote Keyfob Range	upto 20metres

QuasarUK is an internet based company. All Sales / support and interface is via our website at

[www.quasaruk.co.uk](http://www.quasaruk.co.uk)

**for Sales:**

**Sales :** [sales@quasaruk.co.uk](mailto:sales@quasaruk.co.uk)

**for Support:**

**Support :** [sales@quasaruk.co.uk](mailto:sales@quasaruk.co.uk)

**Support Tel:** 0907 639 0000

Calls charged at £0.60 per minute from a BT landline other networks may vary. Callers must be 18 or over and have the bill payers permission. Service provided by StealthNET Ltd :08444150774

### Disclaimer:

Whilst the information in this document is believed to be correct at the time of issue, QuasarUK Ltd does not accept any liability whatsoever for its accuracy, adequacy or completeness. No express or implied warranty or representation is given relating to the information contained in this document. QuasarUK Ltd reserves the right to make changes and improvements to the product(s) described herein without notice. Buyers and other users should determine for themselves the suitability of any such information or products for their own particular requirements or specification(s). QuasarUK Ltd shall not be liable for any loss or damage caused as a result of user's own determination of how to deploy or use QuasarUK Ltd's products. Use of QuasarUK Ltd products or components in life support and/or safety applications is not authorised except with express written approval. No licences are created, implicitly or otherwise, under any of QuasarUK Ltd's intellectual property rights. Liability for loss or damage resulting or caused by reliance on the information contained herein or from the use of the product (including liability resulting from negligence or where QuasarUK Ltd was aware of the possibility of such loss or damage arising) is excluded. This will not operate to limit or restrict QuasarUK Ltd's liability for death or personal injury resulting from its negligence.

